

Automated full plate width cleaning

The FlexoCleanerBrush system is designed to enhance your flexo corrugated printing quality and increase the productivity with maximized uptime and minimum waste.

End of run wash –Plates clean and dry in a few minutes

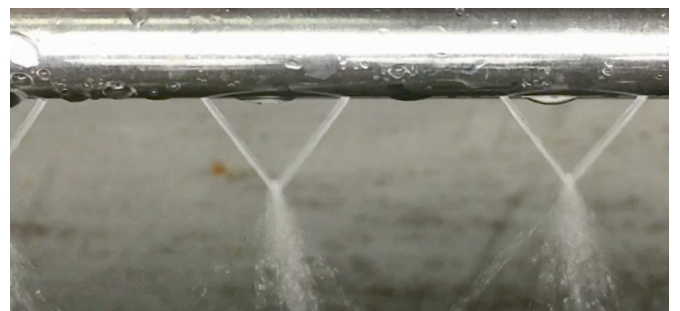
Featured with an optimized fluid management system, the FlexoCleanerBrush enables efficient and deep cleaning over the full width of the plate. Ink is removed from the relief and non-relief areas, leaving a perfectly clean plate. When clean, the Integrated Air knife ensures that the plate is dry and ready for storage. Cleaning and drying is performed in just a few minutes, saving valuable production time. The system can also be used for make-ready or cleaning during production.

Hickeys removed in a few seconds

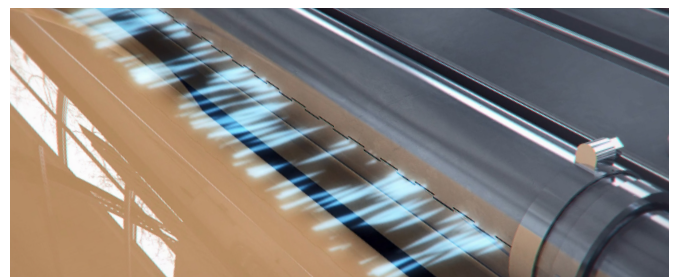
Hickeys are automatically removed at a press of a button on the operator's touchscreen panel. The cleaning is executed in a few seconds during production while the press remains closed and coupled – without any downtime or manual handling. You will gain shorter make-ready times and avoid any press stops for plate cleaning.

Safe working environment

Since the FlexoCleanerBrush is fully automatic, there is no operator contact with moving parts, press nip points or chemicals. You can rely on a safe cleaning operation.

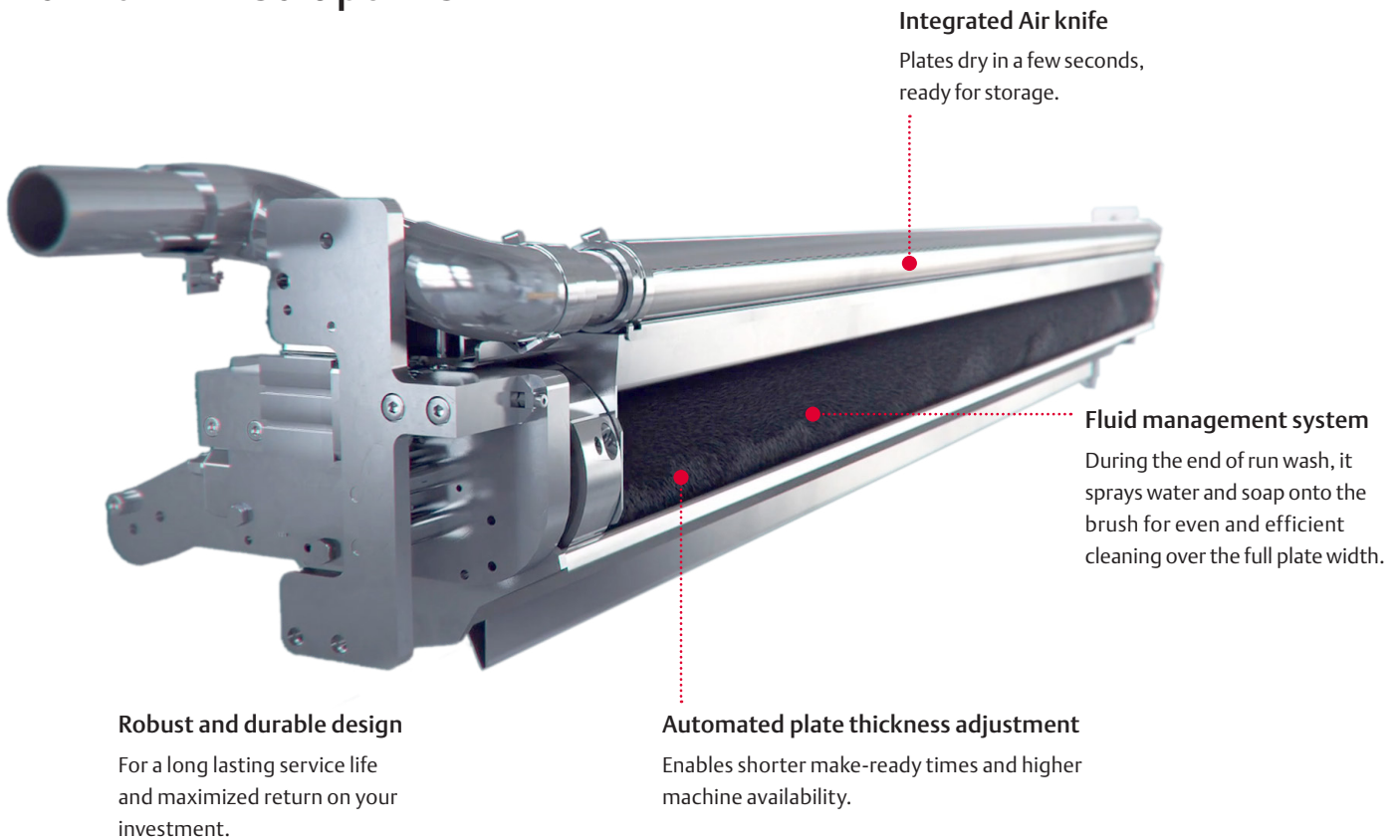


The fluid management system enables efficient cleaning over the full plate width.



The integrated Air knife completely dries the plate after cleaning.

Designed for enhanced printing quality and maximized uptime



Integrated Air knife

Plates dry in a few seconds, ready for storage.

Fluid management system

During the end of run wash, it sprays water and soap onto the brush for even and efficient cleaning over the full plate width.

Robust and durable design

For a long lasting service life and maximized return on your investment.

Automated plate thickness adjustment

Enables shorter make-ready times and higher machine availability.

Features

- Automatic plate thickness adjustment
- Optimized fluid management
- Integrated Air knife
- Cleaning of plate widths up to 2.800 mm (110 in)
- Compact and durable design
- CE and UL compliant for safety and reliability
- Customized wash programs for specific conditions

Benefits

- End of run wash in a few minutes with plates completely clean, dry and ready for storage
- Maximized uptime – Hickey removal during operation
- Reduced make-ready times – Increased productivity
- Enhanced printing quality
- Minimum board waste – Sustainable and economical process
- Increased worker health and safety
- Low maintenance
- Maximum Return on Investment

Baldwin – Always at your service

Baldwin has a large number of highly skilled Service engineers ready to support your installation for years to come, and always close at hand. With vast production expertise of over 40 years, Baldwin offers planning, 3D design and equipment installation at your production site. You can rely on Baldwin service expertise to maximize the lifetime of your equipment with outstanding results.

Contact

Email: cleaning@baldwintech.com

For regional contacts please visit baldwintech.com

Follow

